

JVC

HD PTZ Remote Camera

KY-PZ100 B (Black)

KY-PZ100W (White)

Remote Camera Controller

RM-LP100

Your IP-Controlled HD Video Streaming
and Delivery Solution





Visualizing Value from Live Streaming to Post Production

The IP camera that really works for you — from conferences and lectures to concerts and weddings. Stream it live, or in post-production, it's your solution.



Wide Variety of IP Connectivity including Wi-Fi and 4G/LTE

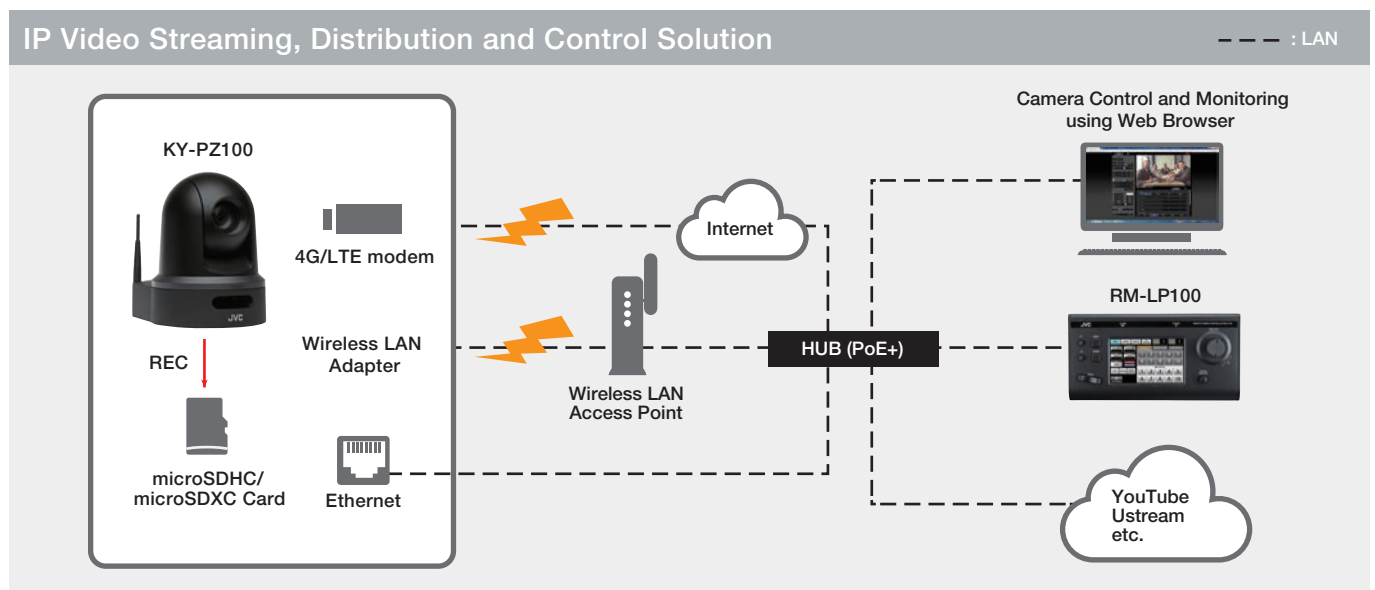
The KY-PZ100 is the PTZ camera that features JVC's unique IP communications engine providing network connection via Wi-Fi, 4G/LTE, or wired LAN.

Streaming and Control from Remote Location with PC

Using a browser, video monitoring and remote camera control can be performed with a PC from all over the world.

RTMP for Direct Streaming to Content Delivery Network

RTMP protocol support enables direct streaming to Ustream, YouTube, Facebook, etc. Other various protocols and bitrates are supported for a variety of usages.



Note: Some functions or connections on this configuration may be limited depending on modes of KY-PZ100 and RM-LP100 or combination of equipment.

HD PTZ Remote Camera
KY-PZ100B



HD PTZ Remote Camera
KY-PZ100W



Remote Camera Controller
RM-LP100



0.02 Lux of Minimum Illumination for Precise Color Reproduction

In High-Sensitivity mode, minimum illumination is 0.02 lux. Superior color reproduction is ensured even at low light. Sensitivity of KY-PZ100 is F5.6 (under 2000 lux) which is brighter value in this category. The Night Mode is also available for even darker environments (0.003 lux of minimum illumination).



Normal color reproduction



High Sensitivity mode

Powerful 30x Optical Zoom

Equipped with 30x optical zoom, the KY-PZ100 is capable of capturing distant subjects. Even in a grand hall or auditorium, the speaker's expressions and handwriting on a board will be clearly captured. 12x digital zoom is also available.



Direct Drive Mechanism for Accurate and Quiet Pan/Tilt

The KY-PZ100 incorporates JVC's Direct Drive Motor that offers precise, highly responsive pan/tilt and silent movement compare to the normal stepping motor mechanism.



- Super Fast Pan/Tilt of max. 400°/sec. With maximum 400°/sec. movement offers the scene transition sharply.
- Super Slow Pan/Tilt of min. 0.1°/sec. Extremely slow movement of 0.1°/sec. offers a good look at the scene even at high zoom rates.
- Super Silent Operation Operating noise of Direct Drive is approx. 20% lower than normal stepping motor system, which is especially suitable for the usage of classic concert, church and so on.
- Super Accuracy of +/-0.03° for Preset Positions Adjusts to preset positions with high accuracy, offset less than 0.03°. Maintains precise shooting positions even at high magnification with virtually no deviation.



Simultaneous Output of 3G-SDI and HDMI in addition to IP

Triple streaming capability, with simultaneous output of up to 1920x1080/60p video through 3G-SDI/HDMI/IP, makes the KY-PZ100 ideal for webcasting as well as viewing and recording of conferences, lectures, and other live events.

PoE+ for Simple and Flexible Installation

You can reduce installation cost with the KY-PZ100 that supports PoE+ (Power-over-Ethernet), which is capable of carrying IP video, audio control and power over a single connection cable.

Wide Dynamic Range Mode

The Wide Dynamic Range mode provides clear natural foreground images even under challenging highlight conditions.

Audio Input Function

Input audio through a microphone or a mixer can be IP output and embedded on SDI or HDMI output.

Full HD 1080/60p High Quality Video

The KY-PZ100 offers progressive video recording of 1920x1080/60p at 50Mbps and streaming of 1920x1080/60p at 20Mbps.

microSDHC/microSDXC Card Recording and File Upload Capability

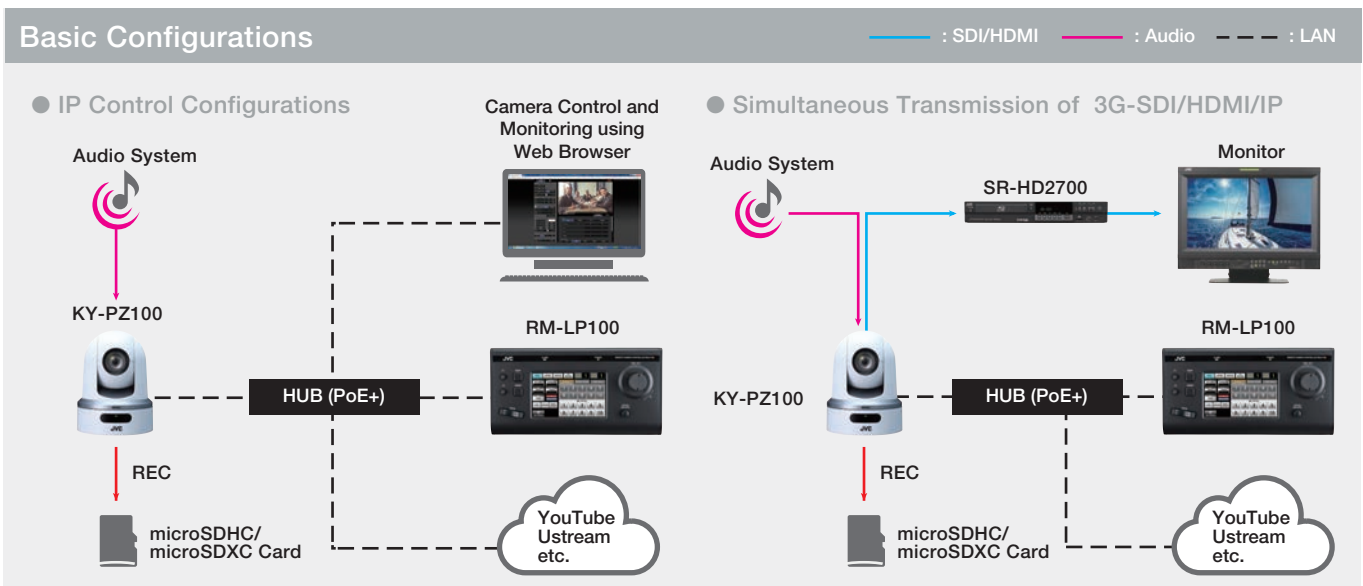
The KY-PZ100 features a built-in digital recorder that records HD from 5Mbps to 50Mbps directly to microSDHC/microSDXC card. Recordings can be uploaded from the camera to an external server.

100 Preset Positions and Settings

Up to 100 points of PTZ positions and other settings such as focus and white balance can be memorized on the camera.

Reliable and Stable Steaming with Zixi and SMPTE2022

Thanks to SMPTE2022 and Zixi support, reliable and stable streaming is assured with minimal latency and forward error correction.



Note: Some functions or connections on these configurations may be limited depending on modes of KY-PZ100 and RM-LP100 or combination of equipment.

RM-LP100

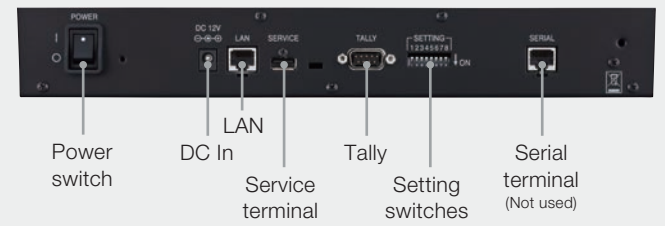
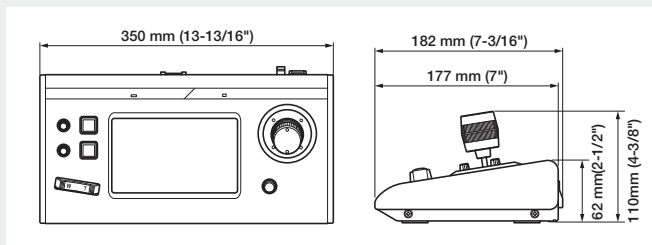
Remote Camera Controller

Get total control from where you are



This advanced controller connects to your network and provides complete IP control of multiple cameras through the Internet. Touch panel and joystick operation give you total control. Operate up to a hundred KY-PZ100 cameras from the controller.

- 7" touch-panel LCD for PTZ and CCU functions
- Professional zoom rocker for smooth, variable speed zoom control
- Heavy duty joystick for precise pan/tilt control
- Focus dial with push-auto function
- User assignable function keys
- IP control of up to 100 cameras
- Tally input (d-sub)

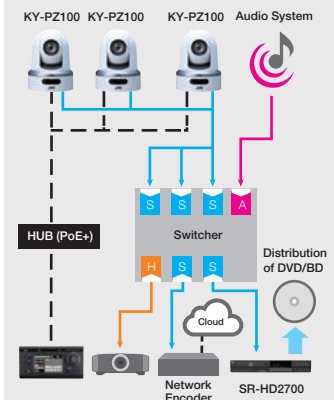


System Configurations

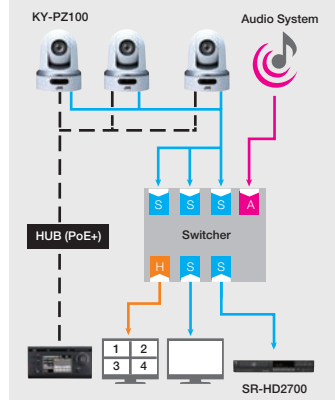
— : SDI — : Audio - - - : LAN — : HDMI



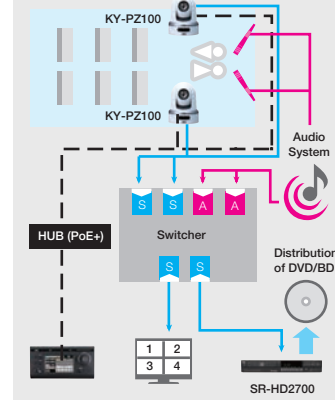
Worship



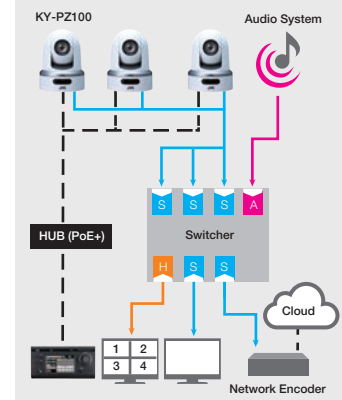
Education



Bridal



Studio or Web Broadcast



Note: Some functions or connections on these configurations may be limited depending on modes of KY-PZ100 and RM-LP100 or combination of equipment.

KY-PZ100B / PZ100W: Specifications

GENERAL SPECIFICATIONS

Power	DC12V (AC adapter), DC42V to 57V (PoE+ power supply)
Power Consumption	1.6A (AC adapter), 0.4A (PoE+ power supply)
Dimensions	154 (W) x 200.7 (H) x 191 (D) mm
Weight	approx. 2.0 kg
Operation Temperature	0°C to 40°C (32°F to 104°F)
Storage Temperature	-20°C to 50°C (14°F to 122°F)
Operating Humidity	30% to 80%
Storage Humidity	Under 85%
Finish	KY-PZ100B: Black / KY-PZ100W: White
Supported Remote Controller	RM-LP100

CAMERA

Image Sensor	1/2.8" CMOS 2.13M pixel
Lens	F1.6 (wide) to F4.7 (Tele) f=4.3mm to 129mm (30.5mm to 915mm (35mm equivalent)) 30x Optical Zoom
Digital Zoom	12x
Horizontal FOV	63.7° to 2.3°
Shutter Speed	1/8 to 1/10000 (U model), 1/6 to 1/10000 (E model)
Gain	0, 3, 6, 9, 12, 15, 18, 21, 24, 30, 36, 42, 48 dB
Minimum Illumination	High sensitive mode OFF: 0.2 lx High sensitive mode ON: 0.02 lx
White Balance	FAW, AWB, 3200K, 5600K, MANUAL
S/N Ratio	50dB
Pan Angle	±175°
Pan Speed	Max 480°/s (AC Adapter) Max 400°/s (PoE+ Power supply)
Tilt Angle	-30° to +90°
Tilt Speed	Max 300°/s (AC Adapter) Max 200°/s (PoE+ Power supply)
Preset Position	100 points

INTERFACE

HD Video Output	SDI output (3G support: BNC x1), HDMI output x1
Audio Input	Ø 3.5mm mini jack x 1 (MIC:Balanced Mono/STEREO with Power) (LINE:Balanced Mono/STEREO)*
LAN Terminal	RJ-45 x 1, PoE+: 42V to 57V Ethernet: 100BASE-TX, 1000BASE-T
RS-422	Serial Control (RJ-45)
RS-232C	Mini DIN 8pin (IN), Mini DIN 8pin (OUT)
USB	HOST x 1 (Network Connection)

Streaming

Live Streaming Protocol	MPEG-2-TS/UDP, MPEG2-TS/RTP (SMPT2022-1), RTSP/RTP, Zixi, RTMP
Video	MPEG-4/AVC H.264 1920x1080 (59.94p, 50p, 29.97p, 25p, 59.94i, 50i) 1280x720 (59.94p, 50p, 29.97p, 25p) 640x360 (29.97p, 25p) LiveView mode 640x360, 320x180*

VIDEO/AUDIO RECORDING

Recording Media	Micro SDHC/SDXC memory card (Class 6/10)
Number of Slot	1 slot
Video Recording	Video codec: MPEG-4 AVC/H.264 File format: Quick Time HD (H.264) NTSC setting: 1920 x 1080/59.94p, 59.94i, 29.97p (50Mbps) 1920x1080/59.94i, 29.97p (35Mbps), 1280x720/59.94p (35Mbps) 1920x1080/59.94p (28Mbps) 1920x1080/59.94i, 29.97p (18Mbps), 1280x720/59.94p, 29.97p (18Mbps) 1920x1080/59.94i (5Mbps), 1280x720/29.97p (5Mbps) PAL setting: 1920x1080/50p, 50i, 25p (50Mbps) 1920x1080/50i, 25p (35Mbps), 1280x720/50p (35Mbps) 1920x1080/50p (28Mbps) 1920x1080/50i, 25p (18Mbps), 1280x720/50p, 25p (18Mbps) 1920x1080/50i (5Mbps), 1280x720/25p (5Mbps)
Audio Recording	LPCM 2ch, 48kHz/16-bit (MOV), µ-law 2ch (5Mbps)

SUPPLIED ACCESSORIES

Direct ceiling mount bracket, Screws (M3), Screws (M2.6), Wireless remote control, AC adapter, Fall prevention wire, Template, Instruction manual.

RM-LP100: Specifications

GENERAL SPECIFICATIONS

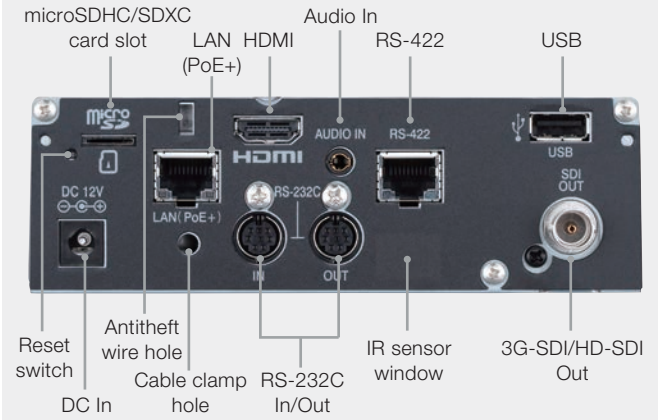
Power	DC12V (AC adapter)
Power Consumption	0.6A (AC adapter)
Dimensions	350 (W) x 110 (H) x 182 (D) mm
Weight	Approx. 2.1 kg
Operation Temperature	0°C to 40°C (32°F to 104°F)
Operating Humidity	20% to 90% (No dew)

CAMERA

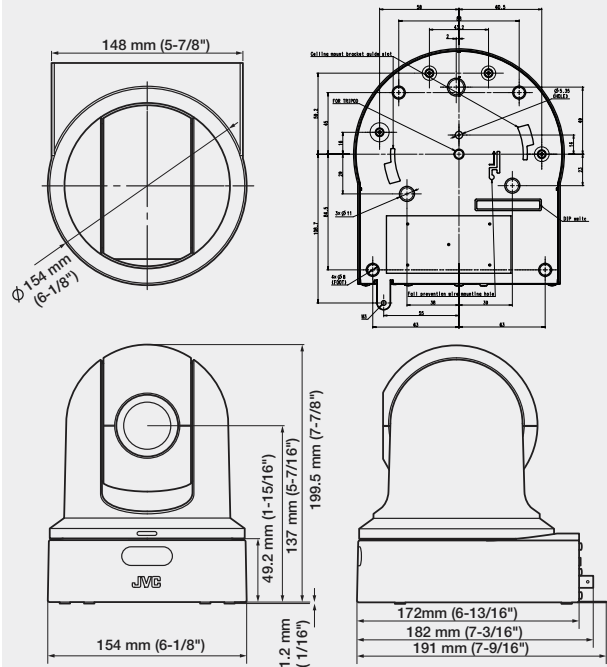
Supported Camera	KY-PZ100
IP Control	Max. 100 cameras
Preset Position	Max. 100 positions
Protocol	IPv4
LCD Touch Panel	Supported

KY-PZ100B / PZ100W: Connectors and Dimensions

● Rear view



● Dimensions



E.E. & O.E. Design and specifications are subject to change without notice.

All TV screen on LCD pictures are simulated. HDMI, the HDMI logo, and High-Definition Multimedia Interface are trademarks or registered trademarks of HDMI Licensing LLC in the United States and other countries. HDCP stands for High-bandwidth Digital Content Protection, a copy protection technology of high reliability licensed by Digital Content Protection, LLC. All brand or product names may be trademarks and/or registered trademarks of their respective owners. All rights not expressly granted herein are reserved.

Copyright © 2016, JVCKENWOOD Corporation. All Rights Reserved.

Assignable Functions

Rotary Switch F1/F2	WB R/B, AE level, Speed (PAN/TILT), Shutter, Gain, Iris, Focus, Detail
Control Lever	UP, DOWN/LEFT, Right, PAN/TILT
Control Lever F3	Zoom, Iris, Focus, No function
USER Button (USER1/USER2)	Exposure (AUTO/Shutter/Iris/MANUAL) White Balance (FAW/AWB/3200K/5600K/MANUAL) AWB TRIGGER, Focus (AUTO/MANUAL), Streaming, REC

INTERFACE

Power Input	DC 12V (Exclusively Supplied AC adapter)
Tally	D-Sub 9pin Input/Output: 3pin/5pin, 4pin/4pin, 5pin/3pin, Variable
LAN Terminal	10BASE-T/100BASE-TX

SUPPLIED ACCESSORIES

AC adapter, Wire clamp, Screw (M3), Instruction manual

JVCKENWOOD

DISTRIBUTED BY