

# HyperDeck Extreme Control



---

HyperDeck Extreme Control adds traditional broadcast deck controls to HyperDeck Extreme 8K. It works like a traditional broadcast deck with a familiar layout. Control up to 8 decks via industry standard RS-422 control.

**\$1,295**

---

## Connections

### Deck Control Outputs

8 x RS-422

### Reference Output

Follows reference input.

### Computer Interface

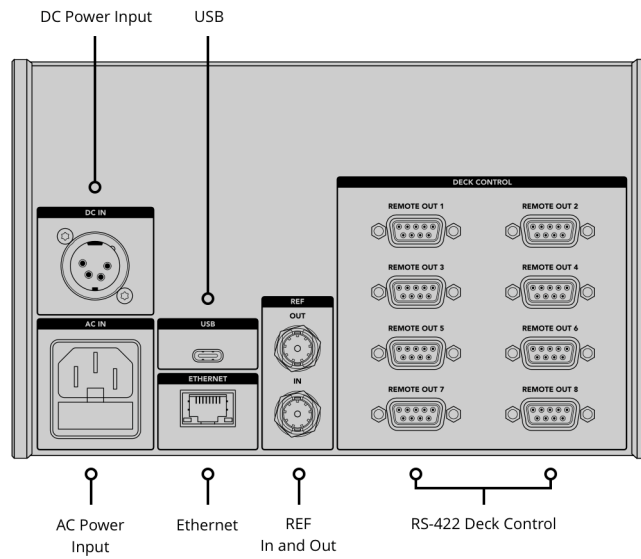
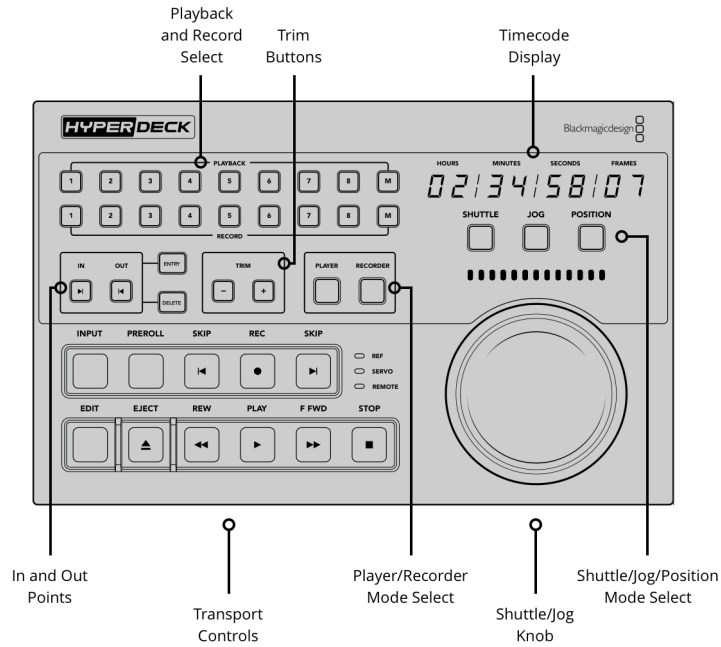
1 x USB-C for software updates.

### Reference Input

Tri-Sync or Black Burst.

### Ethernet

1Gb/s



## Supported Protocols

### Control Protocols

Sony

## Software

### Internal Software Upgrade

Loaded at system start,  
or via Blackmagic HyperDeck Setup  
using USB port.

---

## Operating Systems



Mac 10.13 High Sierra,  
Mac 10.14 Mojave or later.



Windows 8.1 or Windows 10.

---

## Displays

8 digit, 7 segment LED timecode  
display.

---

## Power Requirements

### **Power Supply**

1 x Internal 100 - 240V AC.  
1 x 4 pin XLR 12V DC IN for external  
power or battery use.

---

## Physical Installation

3 rack units height, half rack width.

---

## Physical Specifications



---

## Environmental Specifications

**Operating Temperature:**  
0° to 40° C (32° to 104° F)

**Storage Temperature:**  
-20° to 60° C (-4° to 113° F)

**Relative Humidity:**  
0% to 90% non-condensing

---

## What's Included

HyperDeck Extreme Control

SD card with user manual.

---

## Warranty

12 Month Limited Manufacturer's  
Warranty.

All items on this website are copyright Blackmagic Design Pty. Ltd. 2019, all rights reserved.  
All trademarks are property of their respective owners. MSRP includes duties, but excludes sales tax and shipping costs.  
This website uses remarketing services to advertise on third party websites to previous visitors to our site.  
You can opt out at any time by changing cookie settings. [Privacy Policy](#)

Blackmagic Design Authorized Reseller