

HPRC2400 Autel Robotics EVO II 6K / 8K Drone

EVO2-2400-02



HPRC
VECTOR PANEL
INSIDE



- 1 Autel Robotics EVO II 6K / 8K with propellers – low noise
- 2 Remote Controller
- 3 Battery Charging Hub
- 4 Flight Battery
- 5 Cable/Propellers/Accessories
- 6 Micro USB Cable
- 7 Charger



TECHNICAL FEATURES

Dimension:

Internal dimension
380x266x152(mm) - 14.96x10.47x5.98(in)
External dimension
405x330x170(mm) - 15.94x12.99x6.69(in)

Weight:

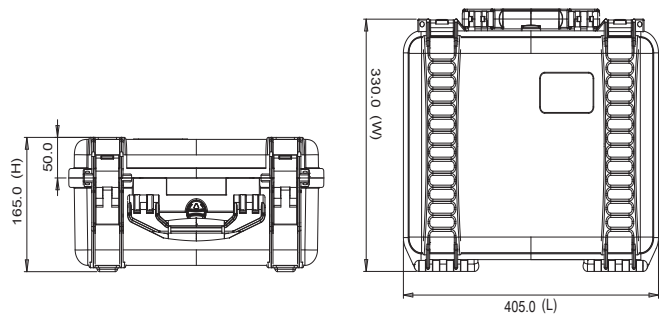
2,38kg - 5.25lbs

Temperature rating:

Minimum -40°C -40°F Maximum +80°C +176°F



TECHNICAL DRAWING



www.hprc.it
info@hprc.it

Plaber s.r.l. - HPRC cases
Via Div Tridentina, 10
I-36061 Bassano del Grappa
Vicenza - Italy
Tel +39 0424 809150

USA office and warehouse:
HPRC USA
240 Anderson Avenue
07074 Moonachie - New Jersey
Tel +1 201 617 2010



APPROVALS
ATA 300
IP67
STANAG 4280
DS 81-41

TEST
DROP
IMPACT
HANDLE
WATERTIGHT INTEGRITY
UV COLOR AND MATERIAL
PROTECTION

