

HPRC3500 for DJI Avata Pro -View Combo

AVAT-3500-01



- 1 DJI Avata
- 2 Cable/Miscellaneous
- 3 Battery Charging Hub
- 4 Goggles 2
- 5 Intelligent Flight Battery
- 6 Eyeglass Frames (Pair)
- 7 Controller
- 8 Cable/Miscellaneous
- 9 Power Adapter
- 10 Goggles 2 Battery
- 11 Motion Controller



TECHNICAL FEATURES

Dimension:

Internal dimension:
433,5x319,3x168,8(mm) - 17.07x12.57x6.65(in)
External dimension:
497,9x370,3x184,9(mm) - 19.6x14.58x7.28(in)

Weight:

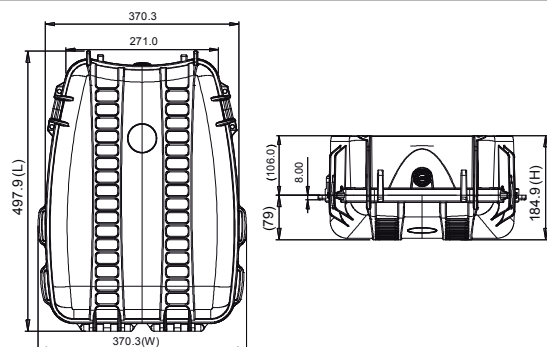
empty: 3,00kg - 6.61lbs
with cubed foam: 3,55kg - 7.82lbs

Temperature rating:

Minimum Maximum
-40°C -40°F +80°C +176°F



TECHNICAL DRAWING



www.hprc.it
info@hprc.it

Plaber s.r.l. - HPRC cases
Via Div Tridentina, 10
I-36061 Bassano del Grappa
Vicenza - Italy
Tel +39 0424 809150

USA office and warehouse:
HPRC USA
110 Chestnut Ridge Rd. #314
Montvale, NJ 07645
Phone +1(201) 989-3353



APPROVALS
ATA 300
IP67
STANAG 4280
DS 81-41

TEST
DROP
IMPACT
HANDLE
WATERTIGHT INTEGRITY
UV COLOR AND MATERIAL
PROTECTION

