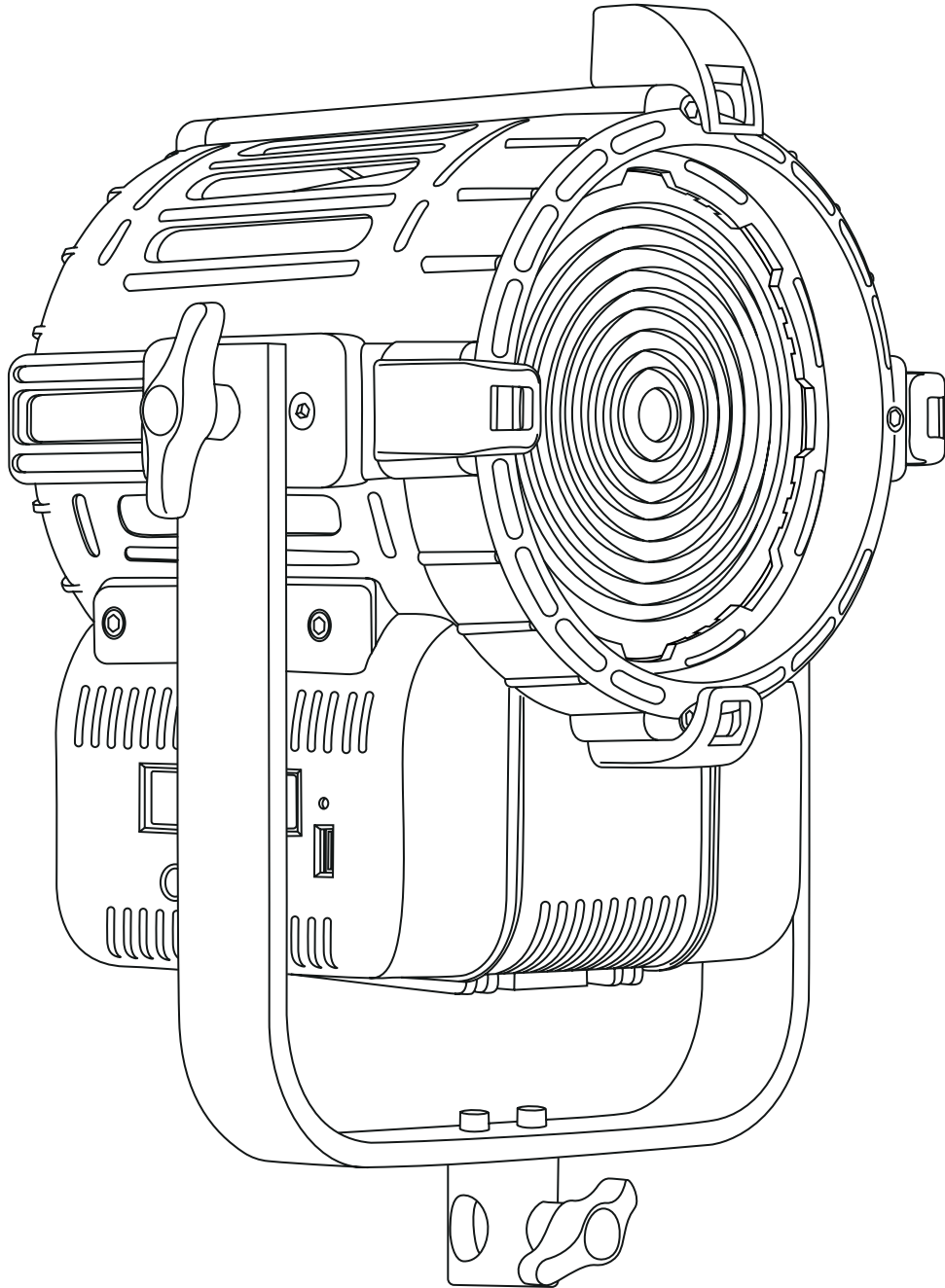


Lupo
Made in Italy



Cod 301 D PRO

**Dayled 5600 K
1000 PRO**

Technical Data

Dimensions (cm)	212 x 299 x 254 mm
Dimensions (in)	8.3 x 11.7 x 10 in
Weight (kg)	5 kg
Weight (lb)	11 lb
CRI (Colour Rendering Index)	> 97
TLCI (Television Lighting Consistency Index)	98
Estimated LED lifetime (L80)	50,000 hours
LED COB	110 W
Dimmer 0 - 100	included
Dimming curves mode	Linear, Exponential, Logarithmic
Connection for 14.8 V battery with standard XLR 4 pin connector (pin 1: negative / pin 4: positive)	included
Standard XLR 5 pin connectors to DMX console	included
Watt consumption	110 W
Watt output (equivalent to tungsten)	1000 W
Fresnel lens	150 mm
Firmware upgrades	through USB port
Colour temperature	5600 K - daylight balanced
Voltage AC	90 V - 240 V
Light beam	10° - 60°
Frequency (input)	50 / 60 Hz
Compliance	CE
Remote control	Bluetooth Long Range / DMX / RDM
Ambient temperature	Max: + 45°C / Min: - 10°C
Power Factor	0.9

Photometric data

Distance	5600 K	
	spot	flood
Lux at 1 m - 3.2 ft	37000	8100
Lux at 2 m - 6.5 ft	7800	1850
Lux at 3 m - 9.8 ft	3100	860
Lux at 4 m - 13.1 ft	1780	500
Lux at 5 m - 16.4 ft	1050	340

Technical Drawing

