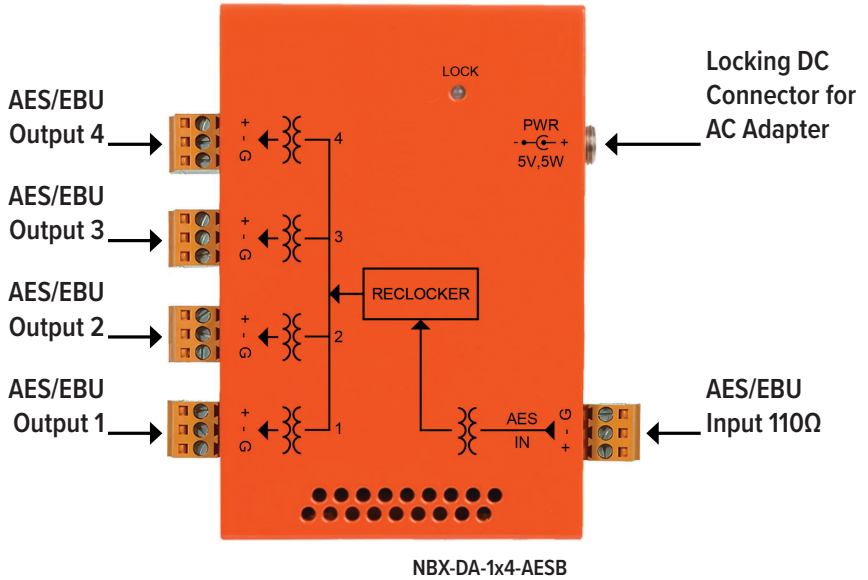


FEATURES

- ▷ Excellent Value
- ▷ Compact Size
- ▷ Rugged Steel Enclosure
- ▷ Highest of Quality Components

APPLICATIONS

- ▷ Live Broadcast
- ▷ Arenas and Stadiums
- ▷ Shared Control Rooms
- ▷ Campus Facilities



The NBX-DA-1X4-AESB is an AES / EBU reclocking distribution amplifier designed for broadcast use. It provides 4 copies of the incoming balanced AES/EBU signal on pluggable 3 pin terminal block connectors.

A dual-color LED will illuminate green indicating the NBX-DA-1X4-AESB is locked to a valid AES/EBU input signal or the LED will be illuminated red showing the unit is powered but not locked to a valid input signal.

The NBX-DA-1X4-AESB supports audio sampling frequencies from 32kHz to 96kHz. Cable equalization and reclocking techniques enable the NBX-DA-1X4-AESB to recover the incoming digital audio signal reliably.

The NBX-DA-1X4-AESB has a rugged solid steel powder coated chassis and is powered by an external AC adapter with a locking DC connector supplied with the module.

TECHNICAL SPECIFICATIONS

Mechanical, Environmental

Power	5VDC, .5W Adapter
Dimensions	3.938" x 2.625" x 0.813" (L x W x H)
Weight	7.8oz

ORDERING INFORMATION

Part #	Description
NBX-DA-1x4-AESB	AES/EBU 1x4 Reclocking Distribution Amplifier - 110 Ohm Balanced. Includes Power Supply.