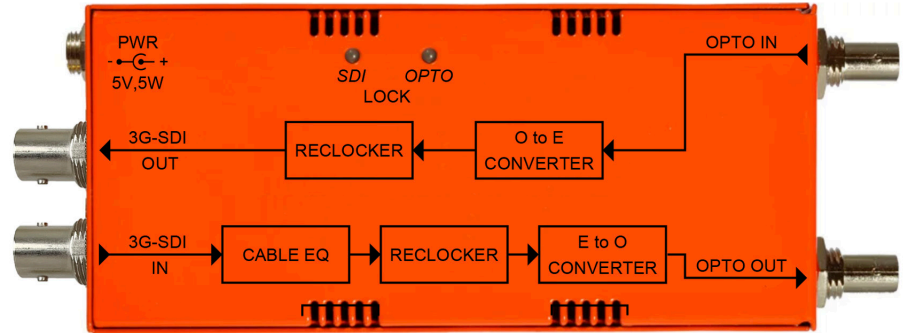


FEATURES

- ▷ Excellent Value
- ▷ Compact Size
- ▷ Rugged Steel Enclosure
- ▷ Highest of Quality Components

APPLICATIONS

- ▷ Live Broadcast
- ▷ Arenas and Stadiums
- ▷ Shared Control Rooms
- ▷ Campus Facilities



The NBX-TRX-3G-ST from MultiDyne provides a miniature solution to transmit and receive 3G/HD/SD-SDI signals over single-mode fiber optic cable using ST fiber optic connectors at distances up to 10km.

The unit accepts one SDI signal on a BNC connector and provides one optical output of this signal on an ST connector over single-mode cable with a 1310 nm wavelength.

The NBX-TRX-3G-ST also provides one SDI fiber optic input on an ST connector with a wavelength range of 1270 nm to 1610 nm and offers one output of this signal

on a BNC connector.

The NBX-TRX-3G-ST also provides reclocking of both the incoming and outgoing SDI signals on the BNC connectors. LED indicators provide a GREEN status indication to show that the reclockers are locked to a valid SDI signal or a RED status indicating a valid SDI signal is not present.

Power to the NBX-TRX-3G-ST is provided by an external AC Adapter with a locking DC connector supplied with the module.

NBX-TRX-3G-ST CONNECTORS



TECHNICAL SPECIFICATIONS

Mechanical, Environmental

Power	5VDC, .5W Adapter
Dimensions	4.875" x 2.188" x 0.813" (L x W x H)
Weight	7.9 oz

ORDERING INFORMATION

Part #	Description
NBX-TRX-3G-ST	3G/HD/SD-SDI Fiber Optic Transceiver ST Connectors. Includes Power Supply.